

Product name: 1/4" Router bit Square Drive

Product code: CSWRBSQD14

COPYRIGHT RESERVED

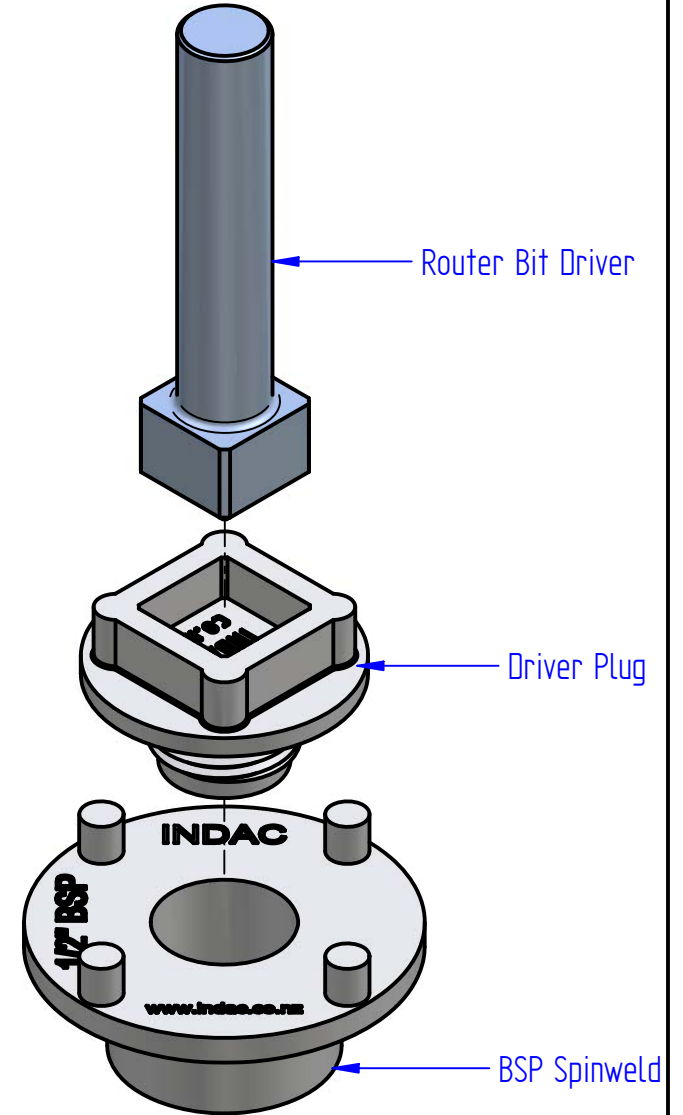
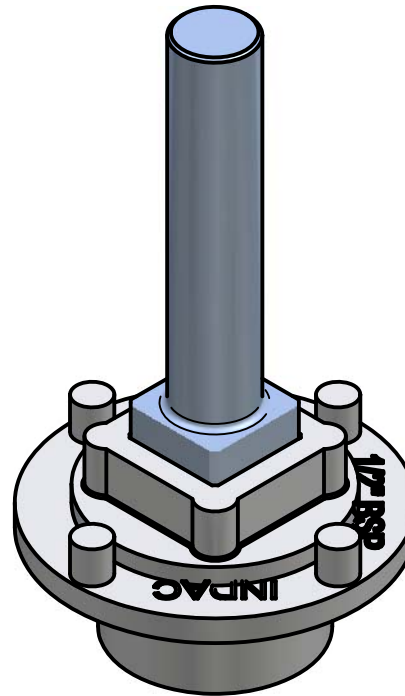
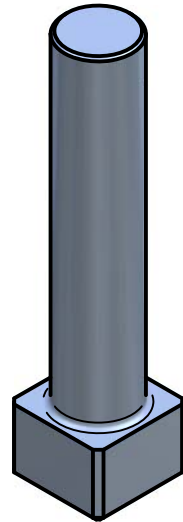
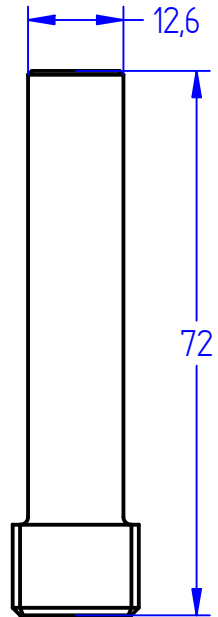
All dimensions and weights are nominal

FILE NAME: Router Bit 1/4 inch.dft

INDAC
INNOVATIVE DESIGN AND CONSTRUCTION

Box 378
26 Stuart Street
Blenheim, 7201

Phone: +64 3 578 3034
www.indac.co.nz
www.plasticproducts.co.nz



Product name: 1/2" Router Bit Square Drive

Product code: CSWRBSQD12

COPYRIGHT RESERVED

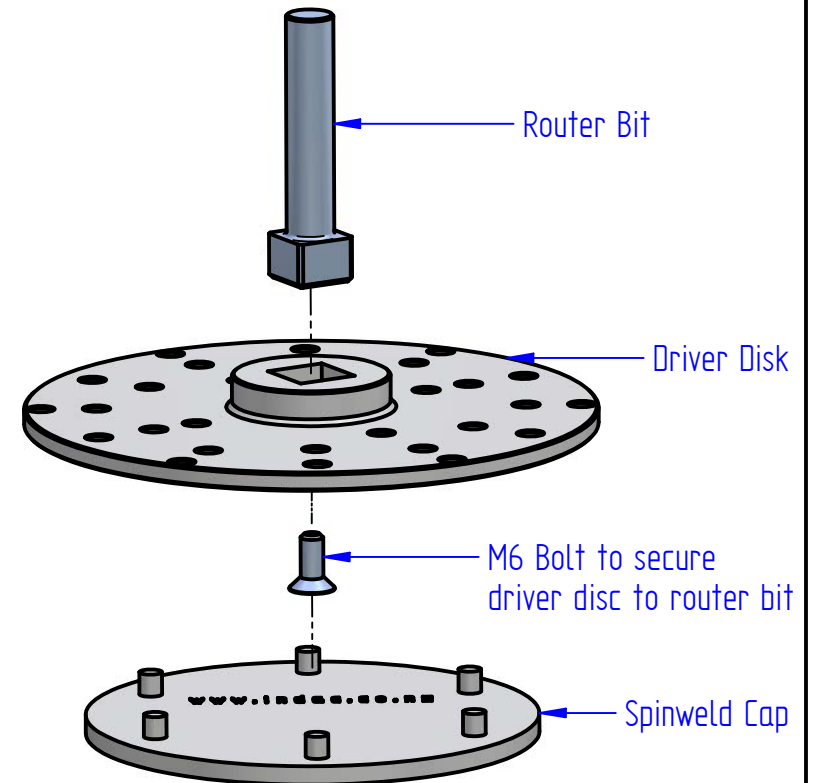
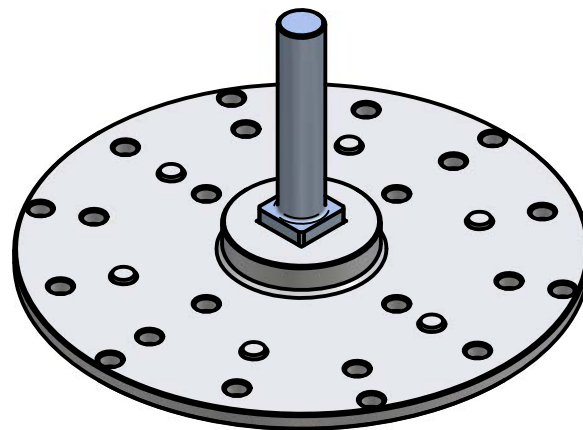
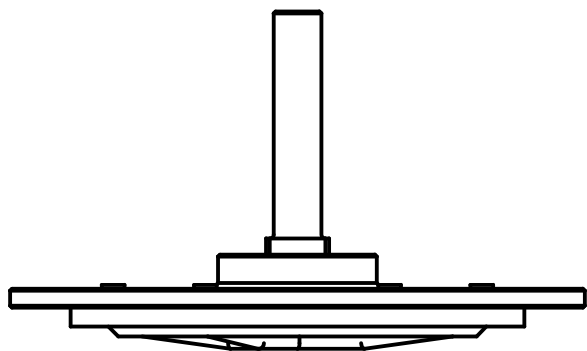
All dimensions and weights are nominal

FILE NAME: Router Bit 1/2 inch.dft



Box 378
26 Stuart Street
Blenheim, 7201

Phone: +64 3 578 3034
www.indac.co.nz
www.plasticproducts.co.nz



Product name: Driver Disk for large Spinweld Caps

Product code: XSWDD

COPYRIGHT RESERVED

All dimensions and weights are nominal

FILE NAME:Driver disk with Spinweld cap 100mm.dft

INDAC
INNOVATIVE DESIGN AND CONSTRUCTION

Box 378
26 Stuart Street
Blenheim, 7201

Phone: +64 3 578 3034
www.indac.co.nz
www.plasticproducts.co.nz