

Driver Plug Code	Driver Plug Description	"A"	"B"	Matching BSP Spinweld Code
XSWDP12	Driver Plug 1/2" (15mm) BSP	1/2" BSP Thread	38	Spinweld 1/2" BSP XWST12
XSWDP34	Driver Plug 3/4" (20mm) BSP	3/4" BSP Thread	34	Spinweld 3/4" BSP XWST34
XSWDP1	Driver Plug 1" (25mm) BSP	1" BSP Thread	40.5	Spinweld 1" BSP XWST1
XSWDP114	Driver Plug 1 1/4" (32mm) BSP	1 1/4" BSP Thread	55	Spinweld 1 1/4" BSP XWST114
XSWDP112	Driver Plug 1 1/2" (40mm) BSP	1 1/2" BSP Thread	55	Spinweld 1 1/2" BSP XWST112
XSWDP2	Driver Plug 2" (50mm) BSP	2" BSP Thread	67.2	Spinweld 2" BSP XWST2

Product name: BSP Driver plugs

Product code: See table above

COPYRIGHT RESERVED

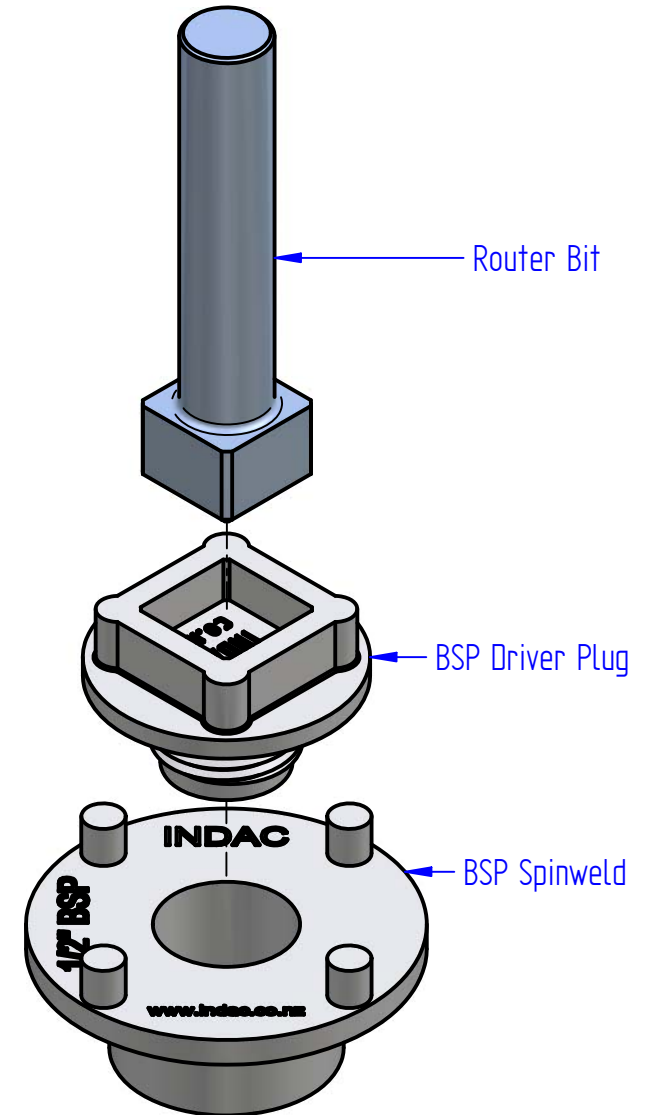
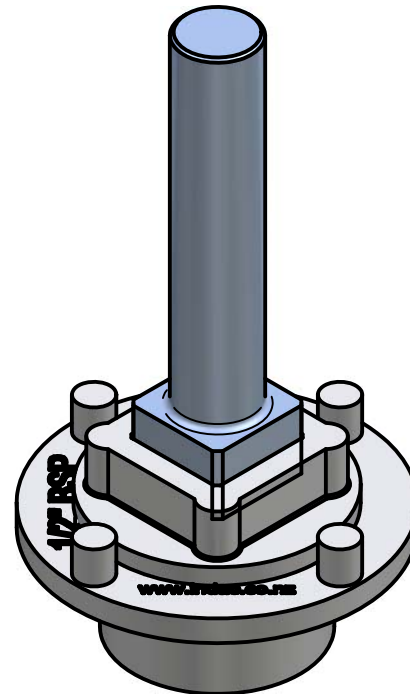
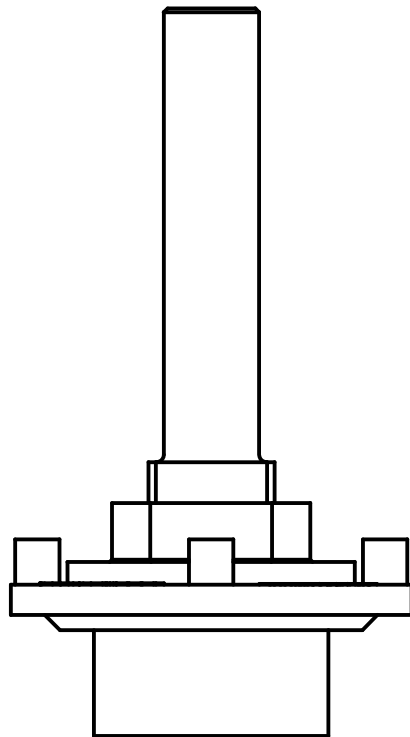
All dimensions and weights are nominal

FILE NAME: Driver Plugs with table.dft



Box 378
26 Stuart Street
Blenheim, 7201

Phone: +64 3 578 3034
www.indac.co.nz
www.plasticproducts.co.nz



Product name: BSP Spinweld Fitment

Product code:

COPYRIGHT RESERVED

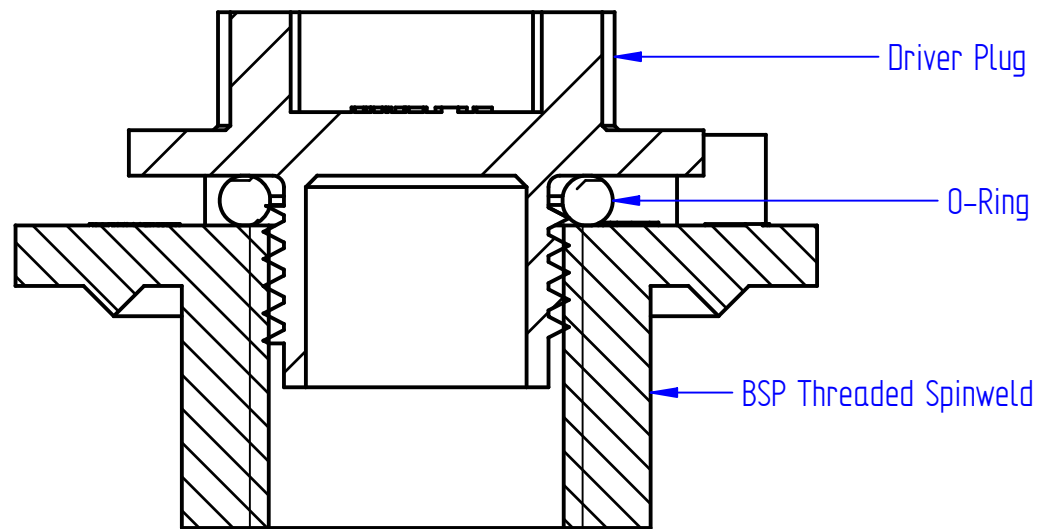
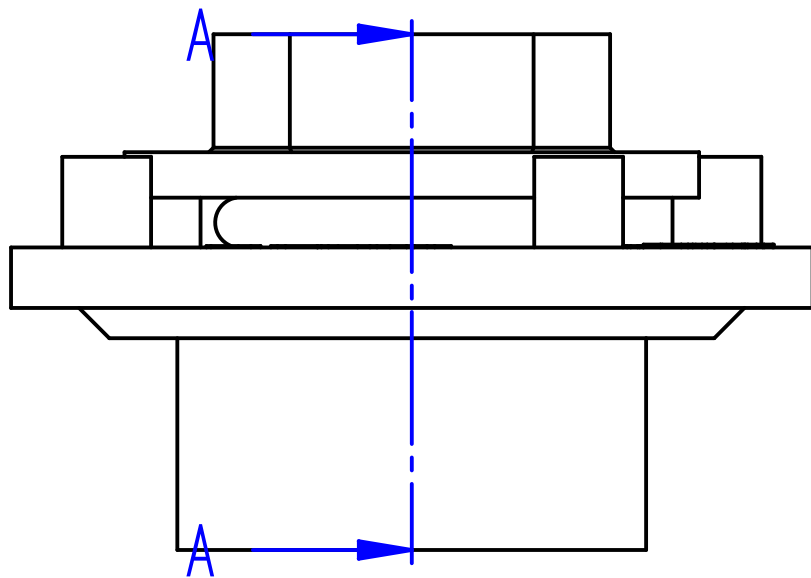
All dimensions and weights are nominal

FILE NAME: BSP Spinweld fitment.dft

INDAC
INNOVATIVE DESIGN AND CONSTRUCTION

Box 378
26 Stuart Street
Blenheim, 7201

Phone: +64 3 578 3034
www.indac.co.nz
www.plasticproducts.co.nz



SECTION A-A

Product name: Driver plug, o-ring, BSP Spinweld

Product code:

COPYRIGHT RESERVED

All dimensions and weights are nominal

FILE NAME:DP with SW section view.dft

INDAC
INNOVATIVE DESIGN AND CONSTRUCTION

Box 378
 26 Stuart Street
 Blenheim, 7201

Phone: +64 3 578 3034
www.indac.co.nz
www.plasticproducts.co.nz